

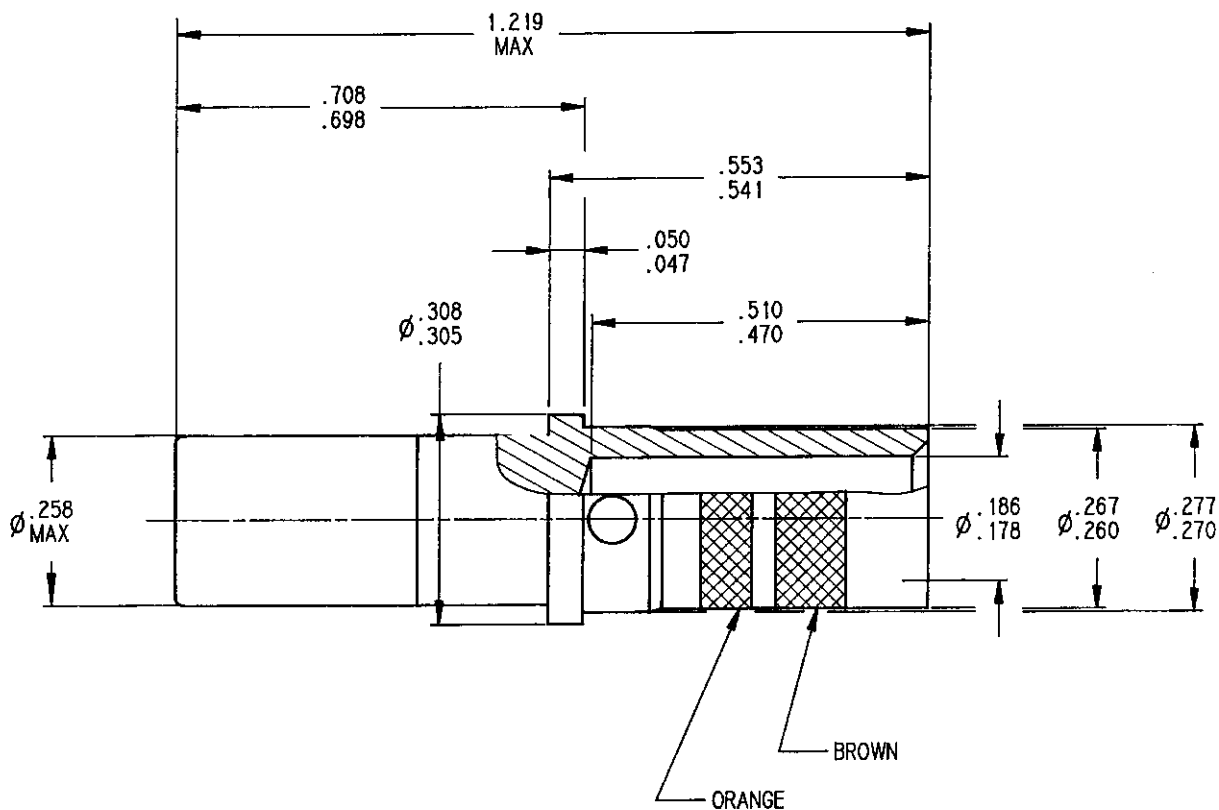


Séries  
BPX

SIZE 8 POWER SOCKET CONTACT  
BOEING P/N: S280W553\_2

Issue:  
23 DEC.92

Page  
1 / 1



**MATERIAL**

CONTACT : BERYLLIUM COPPER ALLOY PER QQ-C-530 HEAT TREATED FOR SPRING TINES \_ANNEALED ON CRIMP BARREL  
PROTECTIVE HOOD: STAINLESS STEEL PER AISI 305

**FINISH:**

CONTACT: GOLD PLATE PER MIL-G-45204, TYPE II, GRAD C, CLASS 1:  
MICROINCHES OVER NICKEL PLATE PER QQ-N-290, CLASS 2  
PROTECTIVE HOOD: PASSIVATED

CRIMPING TOOL : M22520/23-01  
DIE SET : M22520/23-02  
LOCATOR : M22520/23-09  
REMOVABLE TOOL : M81969/28-03  
STRIP LENGTH: .450

This information is given as an indication, in the continual goal to improve our products, we reserve the right to make any modifications judged necessary.

CREATION			
PEN: .			
EP: .			
Name: L FALETTI			
Date: 18 OCT.92	23. 12.92	REDRAWN	JP MACARI
	Issue	Revisions	Name